

GSM

高效单端面静环补偿性密封系列

化工泵专用的密封解决方案

The Standard Stationary Single Seal Solution for Chemical Pumps

产品特点Key Features

- 静环补偿密封端面技术
- 整装式结构减少在高温和低温工况中变形
- 更高的温度极限，最高耐温220摄氏度，无镶装工艺的环面脱落和端面位移等问题
- 更高的压力极限：最高压力可达 25 bar
- 标准设计可带节流衬套或者油封，可用于API 11/21/32/62号冲洗方案
- Stationary face compensation technology.
- Solid seal structure reduces deformation at high temperature and low temperature conditions.
- High Speed limits, up to 220 degree. No seal face drop or displacement.
- Higher pressure limits, up to 25 bar.
- Suitable for API Plan 11/ 21/32/62.

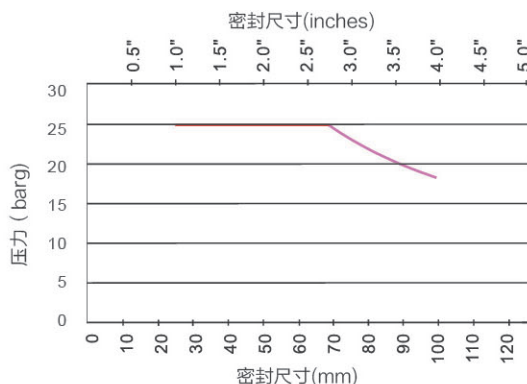
运行参数Operating Conditions

温度/Temperature	-40° C to +280° C [-40° F to +527° F]
压力/Pressure	0~25 Bar
线速度/On-wire speed	Up to 25 m/s
适用介质/Sealing product	各种酸性，碱性，低度浆液，水油等介质 Acid,alkaline, low percentage of pulp, water, oil and other similar media.

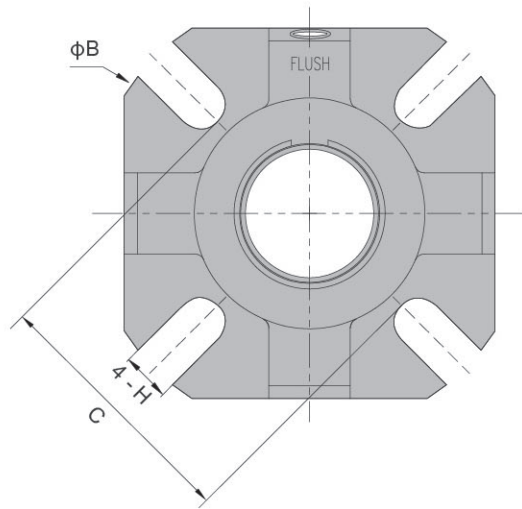
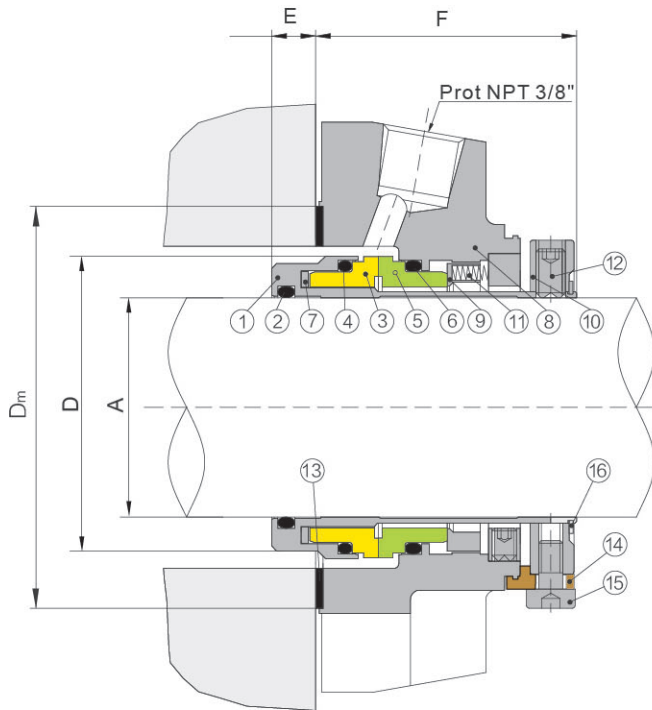
材质Material Arrangement

密封环/Seal faces	SSIC/CARBON/TC
橡胶/Rubber	EPR/Viton®/Aflas®/Kalrez®
弹簧/Springs	ALLOY 276
金属部件/Metal	316SS/DUPLEX/ALLOY 276/904L

压力图Pressure Chart



卧式安装
Horizontal



GSM-各部件信息

NO	描述/Description	材质/Material	NO	描述/Description	材质/Material
1	轴套/Shaft Sleeve	316SS 不锈钢/tainless Steel	9	弹簧座/Spring Plate	316SS 不锈钢/Stainless Steel
2	O型圈/O-Ring	EPR/Viton®/Aflas®/Kalrez®	10	定位环/Clamp Ring	316SS 不锈钢/Stainless Steel
3	动环/Rotary Face	SSIC/TC	11	弹簧/Spring	Alloy 276
4	O型圈/O-Ring	EPR/Viton®/Aflas®/Kalrez®	12	驱动螺钉/Drive Screw	316SS 不锈钢/Stainless Steel
5	静环/Stationary Face	Carbon/SSIC/TC	13	垫片/Gasket	非石棉/AF1
6	O型圈/O-Ring	EPR/Viton®/Aflas®/Kalrez®	14	定位块/Setting Clip	铜/Brass
7	传动环/Drive Ring	316SS 不锈钢/Stainless Steel	15	定位块螺钉/Clip Screw	316SS 不锈钢/Stainless Steel
8	压盖/Gland	316SS 不锈钢/Stainless Steel	16	卡簧/Circlip	316SS 不锈钢/Stainless Steel

GSM-尺寸信息(mm)

ØA	ØB	C	ØD	ØD _m	E	F	H
25	105	66.5	42.0	55.0	10	53.5	14
28	105	66.5	45.5	60.0	10	53.5	14
30	105	66.5	47.0	60.0	10	53.5	14
32	105	66.5	50.0	63.0	10	53.5	14
33	105	66.5	50.0	63.0	10	53.5	14
35	120	68.5	52.0	65.0	10	53.5	14
38	135	80	55.0	75.5	10	53.5	15
40	135	80	57.0	75.5	10	53.5	15
43	135	80	60.0	75.5	10	53.5	15
45	139	84.5	62.0	80.0	10	53.5	14
48	139	84.5	65.0	80.0	10	53.5	14
50	150	87.5	68.0	83.0	10	53.5	17.5
53	150	97	72.0	93.0	10	53.5	17.5
55	150	97	72.0	93.0	10	53.5	17.5
60	165	102	77.9	98.5	10	53.5	17.5
63	171	108	81.0	104.5	10	53.5	17.5
65	171	108	84.2	104.5	10	53.5	17.5
70	180	112	87.5	107.0	10	53.5	17.5

GSM-尺寸信息(Inches)

ØA	ØB	C	ØD	ØD _m	E	F	H
1.000	4.134	2.618	1.654	2.165	0.393	2.106	0.551
1.125	4.134	2.618	1.791	2.362	0.393	2.106	0.551
1.250	4.134	2.618	1.929	2.480	0.393	2.106	0.551
1.375	4.725	2.697	2.047	2.559	0.393	2.106	0.551
1.500	5.315	3.150	2.165	2.972	0.393	2.106	0.591
1.625	5.315	3.150	2.362	2.972	0.393	2.106	0.591
1.750	5.475	3.326	2.441	3.150	0.393	2.106	0.551
1.875	5.475	3.326	2.559	3.150	0.393	2.106	0.551
2.000	5.906	3.450	2.677	3.268	0.393	2.106	0.689
2.125	5.906	3.819	2.835	3.661	0.393	2.106	0.689
2.250	6.500	3.327	2.937	3.878	0.393	2.106	0.689
2.375	6.500	4.015	3.067	3.878	0.393	2.106	0.689
2.500	6.725	4.251	3.189	4.114	0.393	2.106	0.689
2.625	6.725	4.251	3.315	4.114	0.393	2.106	0.689
2.750	7.100	4.409	3.445	4.213	0.393	2.106	0.689

© 如对设备轴径大于100mm (4英寸) 的特定需求, 请与FBU的技术部门联系确认相关尺寸和设计可能性
If seal sizes bigger than 100mm (4") is required for specified equipment, please contact FBU technical department for dimensional information and availability.